



MTP TW

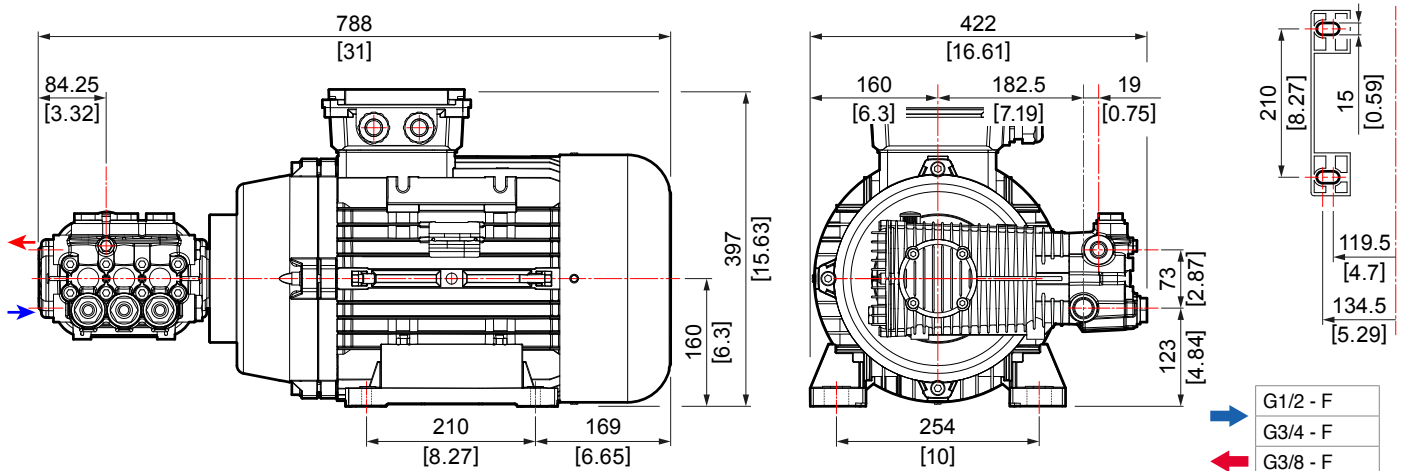
PREMIUM



| Code Codice Codigo | Model Modello Modelo | | | | | | | | | | | | | | |
|--------------------------|----------------------------|------|-------|--------|-----|------|------|----|---------------|------|------|------|-------|-------|-------|
| | | rpm | l/min | US gpm | bar | psi | Mpa | Hz | V | HP | HP | kW | Mec | kg | lb |
| * 7301 0855 | MTP TW 18/350 | 1450 | 18,0 | 4,7 | 350 | 5076 | 35,0 | 50 | 230 / 400 - 3 | 15,0 | 16,1 | 12,0 | 132 | 75,0 | 165,3 |
| * 7301 0856 | MTP TW 21/350 | 1450 | 21,0 | 5,6 | 350 | 5076 | 35,0 | 50 | 400 / 690 - 3 | 20,0 | 20,1 | 15,0 | 160 M | 120,0 | 264,5 |

Motor-pump coupling with a flexible joint (integrated on motor). / Accoppiamento motore-pompa mediante giunto elastico (integrato nel motore). / Acoplamiento bomba-motor mediante junta elástica (integrada en el motor)

MEC 160 M



* For connection kit see page 105 / * Per kit di connessione vedere pagina 105 / * Para los kit de conexión referirse a pagina 105

Contact us for MEC132 version drawings. / I disegni per le versioni MEC132 sono disponibili su richiesta. / Contactar para los dibujos de las versiones MEC132.